

Heater Adapter Kit, 262450

406861B

ENG

For connecting a heater to the A or B side of a XP70 plural-component sprayer.



Important Safety Instructions

Read all warnings and instructions in the XP70 sprayer manual 3A0420. Save all instructions.

Ref. Part No.	Description	Qty.
1	158683 FITTING, elbow, 90°, street	1
2	158491 FITTING, nipple, 1/2 in. npt	1
3	15M987 FITTING, elbow, 60°, street	1
4	H75004 HOSE, coupled, 7250 psi; 1/2 in. ID; 4 ft (1.2 m)	1
5	166590 FITTING, elbow, street, 3/4	1

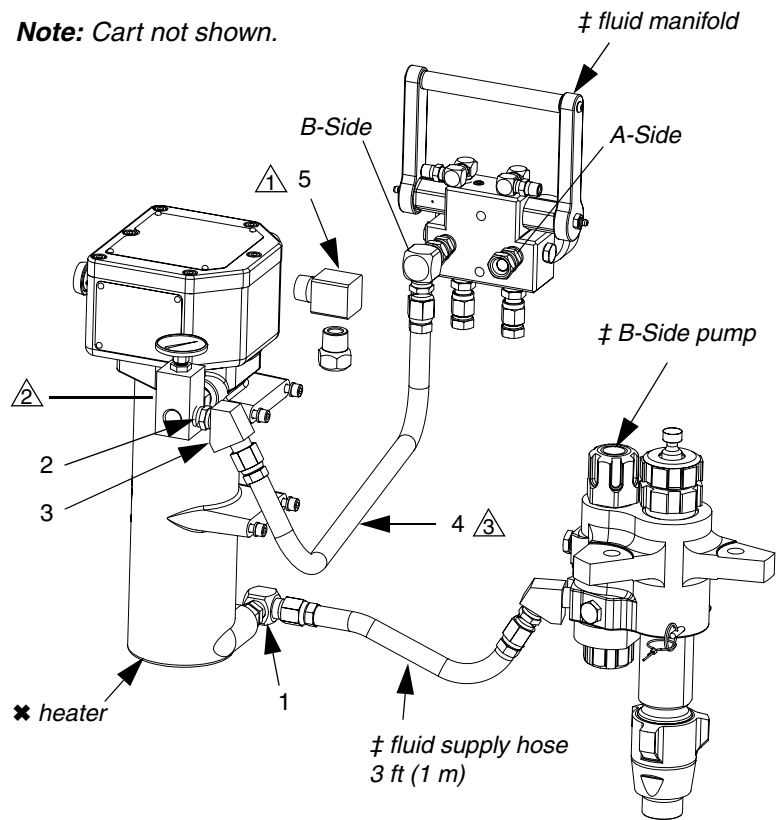
✱ Order heater and heater adapter kit 262450 for each side of the XP that needs heat (purchase separately).

‡ Referenced XP Sprayer parts.

Installation

1. Disconnect the existing fluid supply hose from the back of the gauge manifold.
2. Connect the elbow fitting (1) and the end of the fluid supply hose to the bottom inlet on the heater.
3. Remove the plug from the heater outlet manifold and connect the nipple (2), elbow fitting (3) and hose (4) to the heater manifold. Install plug in empty heater manifold port.
4. Connect the other end of the hose (4) to the back of the fluid gauge manifold.
5. For only hazardous heaters, install conduit elbow (5) to wiring connection.
6. See **Heater Hose Routing Guide**, on page 2 to properly route hose.

Note: Cart not shown.



⚠ Only for electrical inlet on hazardous heaters.

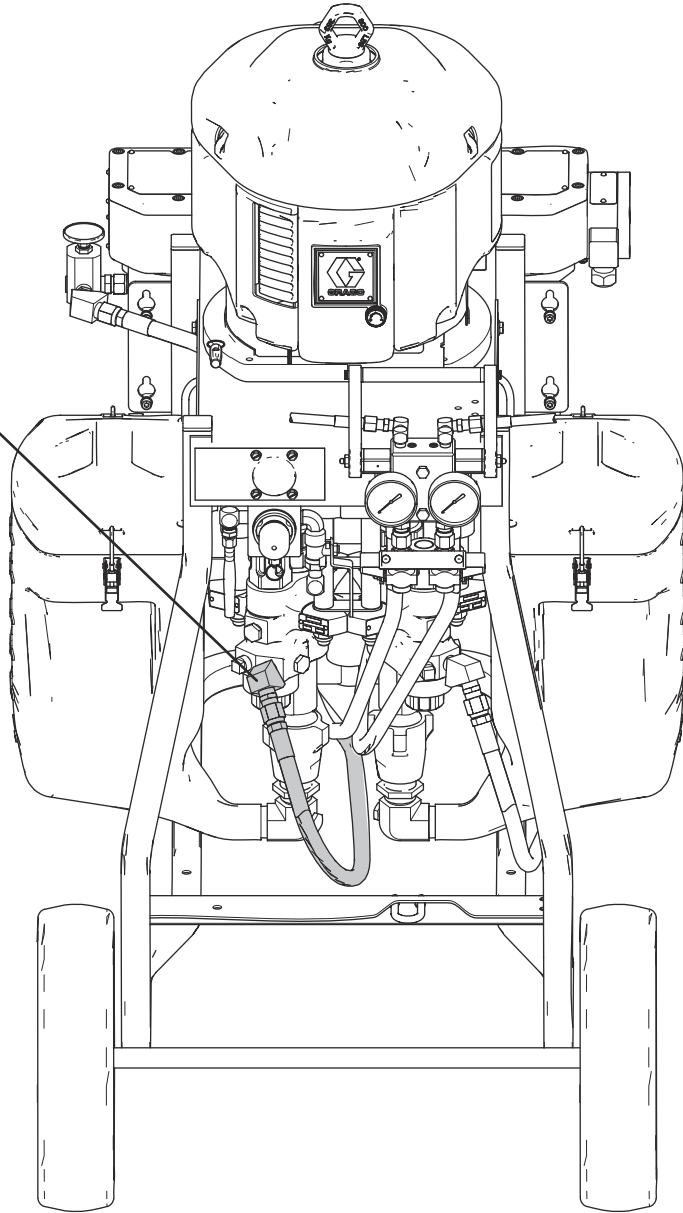
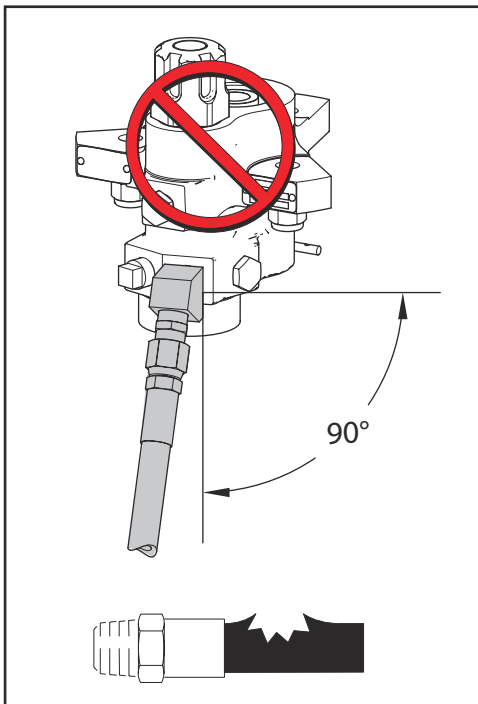
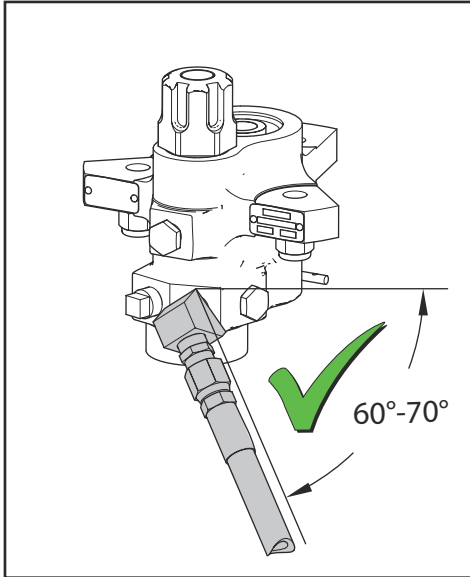
⚡ Rotate to a vertical position as shown.

⊜ 8 in. (203.2 mm) bend radius.

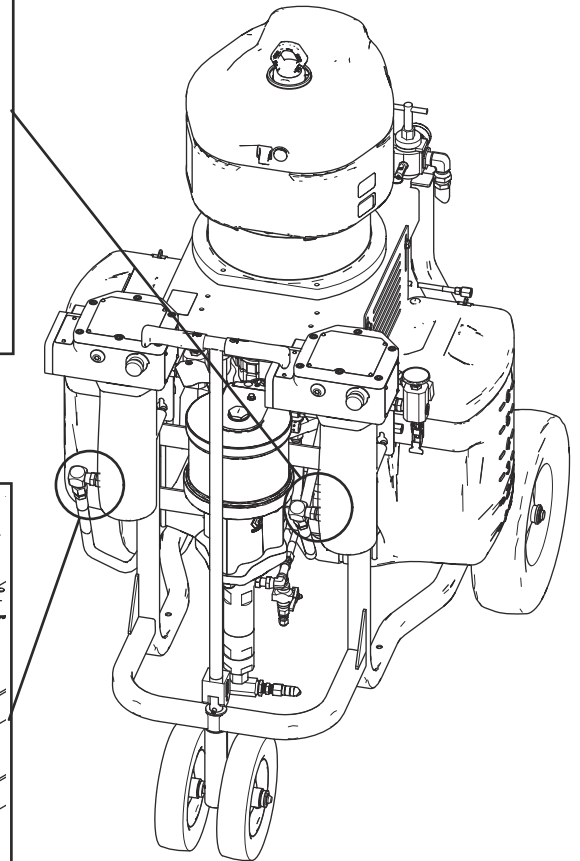
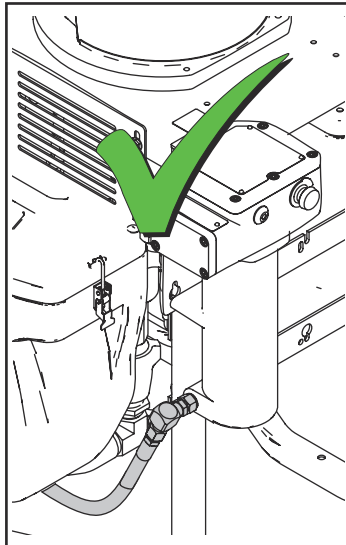
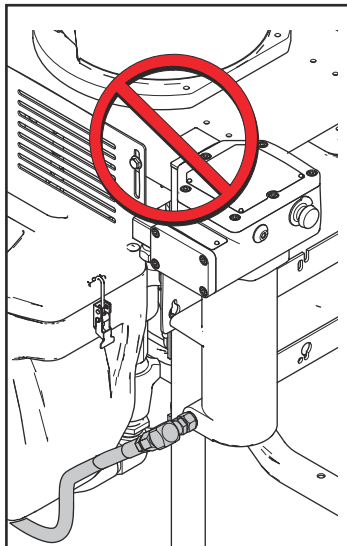
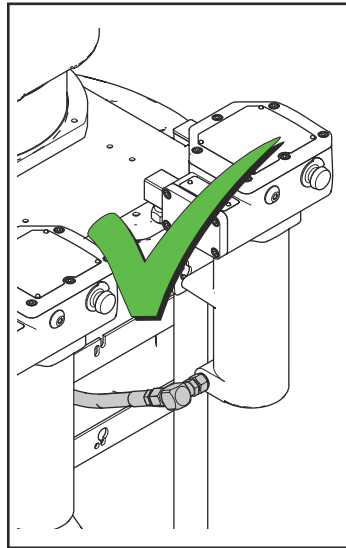
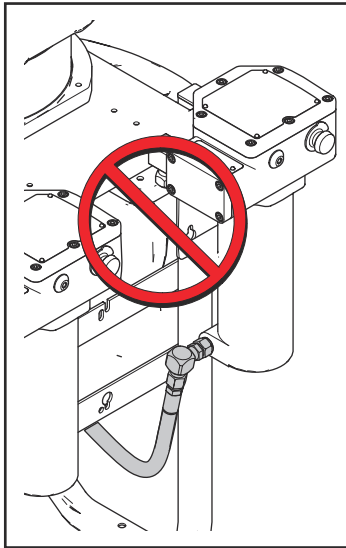
r_262450_406861_2a

Heater Hose Routing Guide

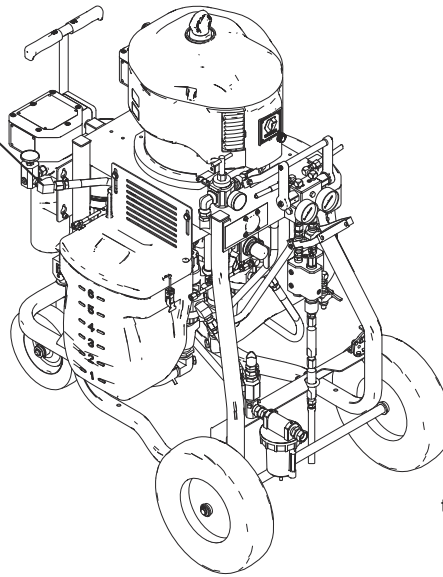
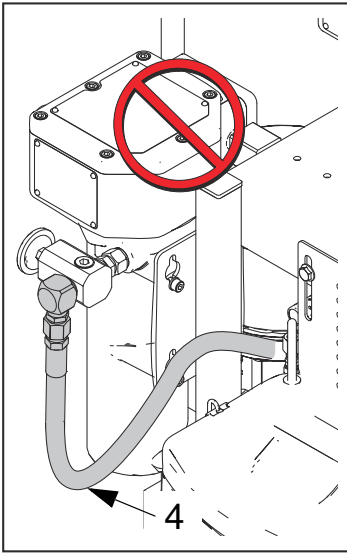
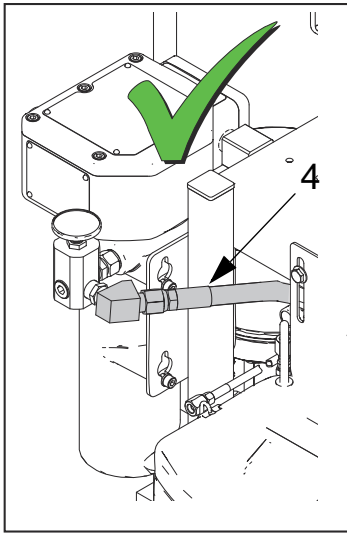
Route heater hoses as shown to prevent stain on hose couplings.



ti17250a



ti17251a



ti17252a

Graco Information

For the latest information about Graco products, visit www.graco.com.

TO PLACE AN ORDER, contact your Graco distributor or call to identify the nearest distributor.

Phone: 612-623-6921 **or Toll Free:** 1-800-328-0211 **Fax:** 612-378-3505

All written and visual data contained in this document reflects the latest product information available at the time of publication. Graco reserves the right to make changes at any time without notice.

Original instructions. This manual contains English. MM 406861

Graco Headquarters: Minneapolis
International Offices: Belgium, China, Japan, Korea

GRACO INC. P.O. BOX 1441 MINNEAPOLIS, MN 55440-1441

Copyright 2010, Graco Inc. is registered to ISO 9001

www.graco.com
Revised 03/2011